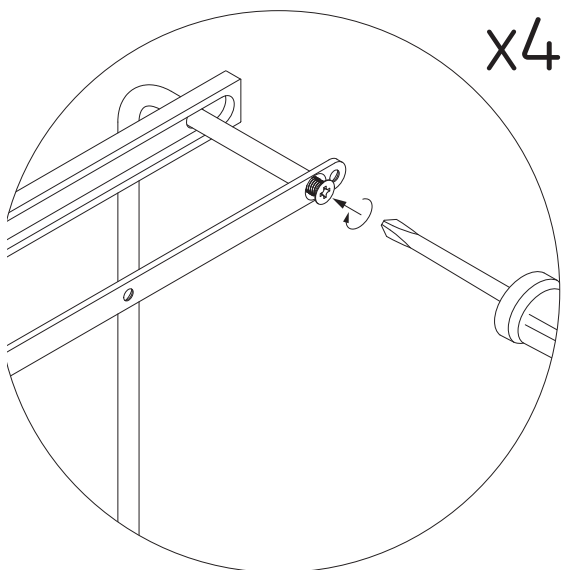
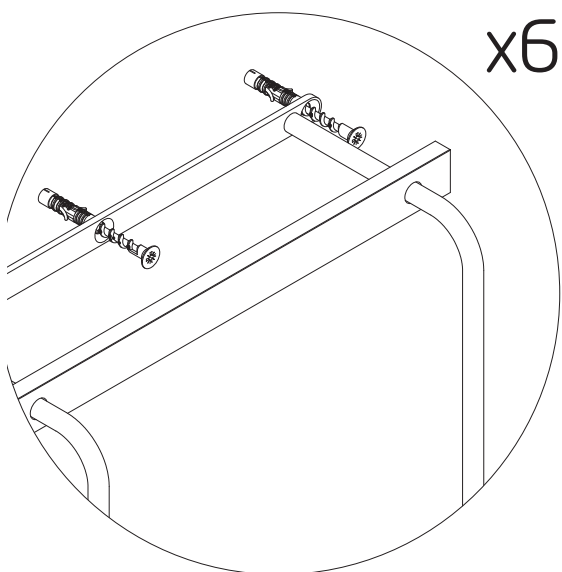
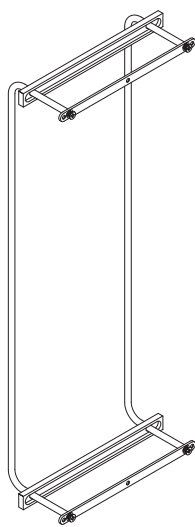


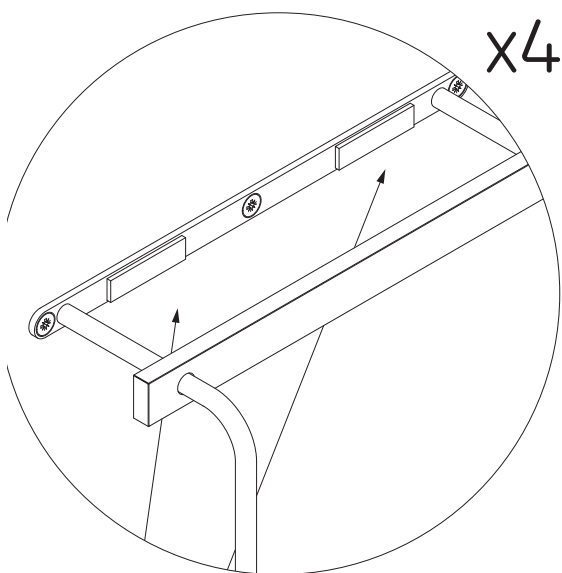
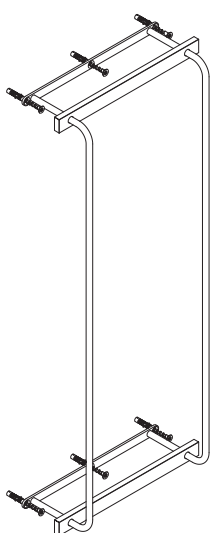
HOW TO



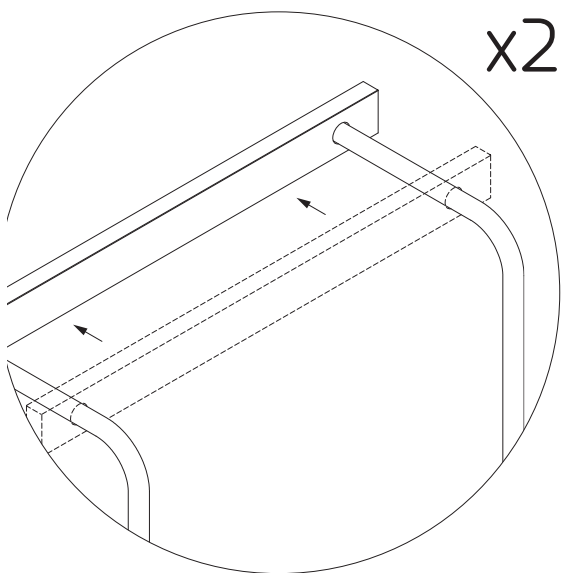
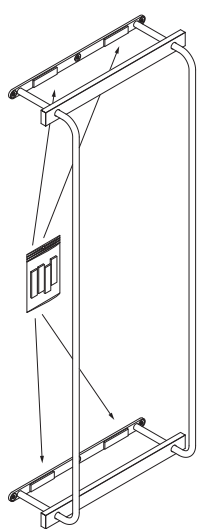
x4



x6



x4



x2

