

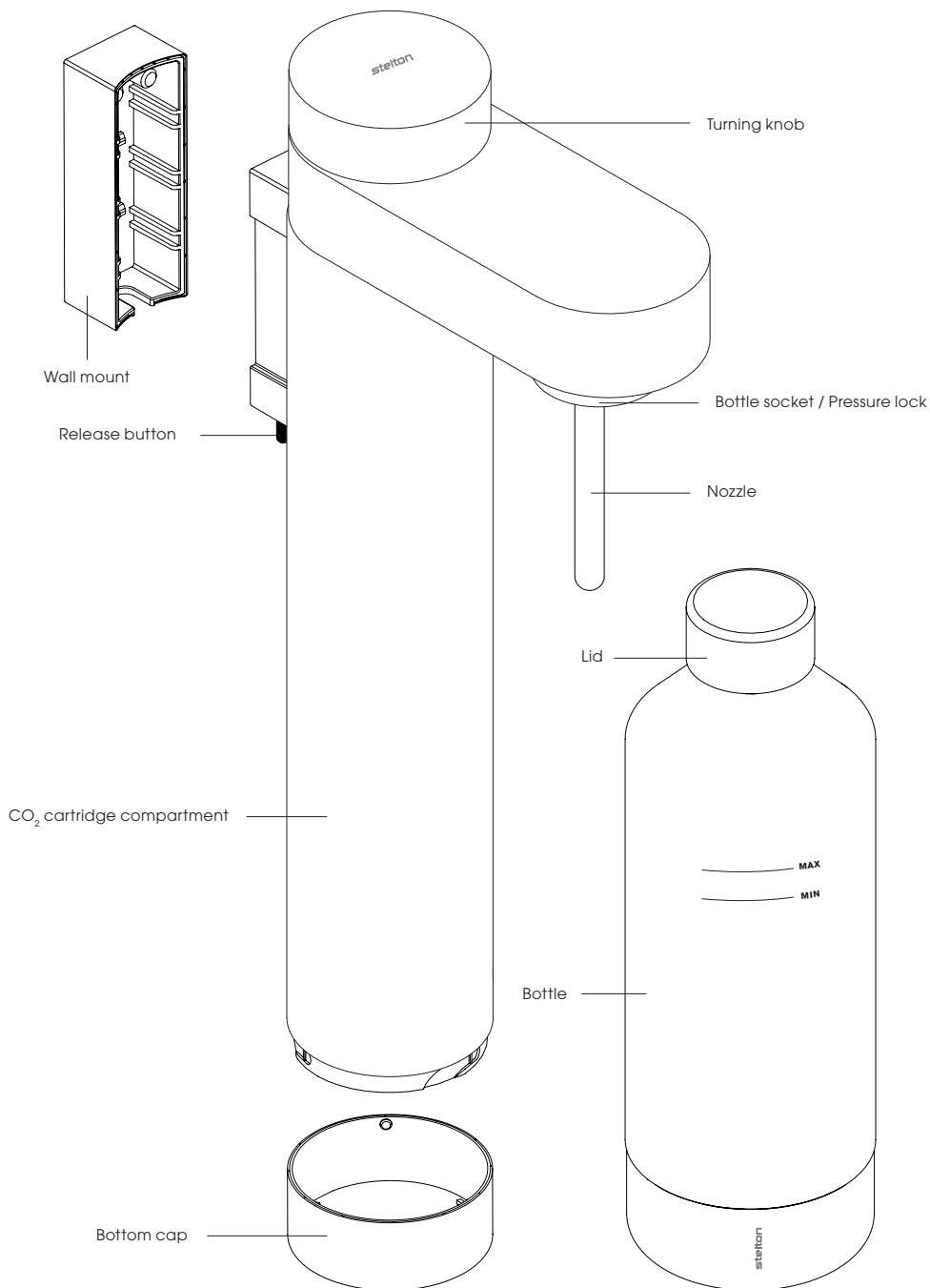


Brus

carbonator, wall mount
kulsyre-maskine, væghængt
Wassersprudler, Wandhalterung
carbonateur, montage mural

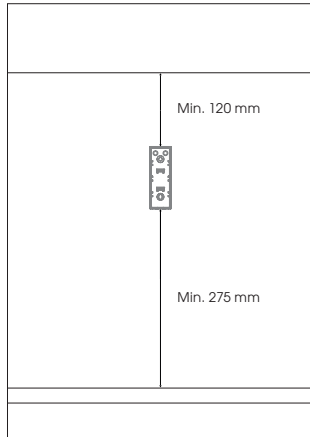
stelton

EN - Brus carbonator, wall mount



Before using your Brus carbonator for the first time, please read the user and safety instructions in this manual.

User instructions



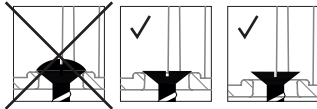
Installation of the wall mount

1. Choose a suitable wall, preferably in the kitchen or an open bar- or restaurant area.
2. Place the wall mount on the wall and mark the two drilling holes using a pen. Ensure the mount is horizontally level by using a spirit level.
3. Use two flat-headed screws ($\varnothing 4-5$ mm) along with matching expanding wall plugs to secure the mount to the wall.

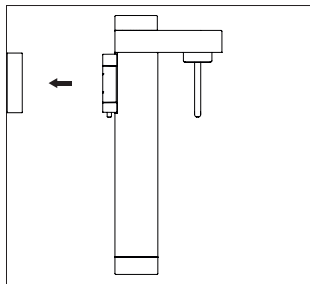
IMPORTANT: Ensure the bottom of the wall mount is at least 275 mm above the table surface and has at least 120 mm of headroom above it.

IMPORTANT: Make sure that the slot for the release button on the wall mount is facing downwards.

4. Once the screws are in place, ensure the screw heads are flush with the top of the screw tower. This indicates that the wall mount is securely fixed to the wall.



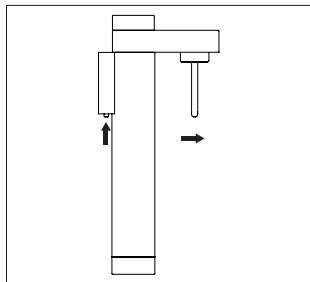
IMPORTANT: As wall materials vary, screws and plugs for wall fixation are not included. Use wall fixing screws and plugs that are suitable for your walls.



Attaching the Wall-mounted carbonator

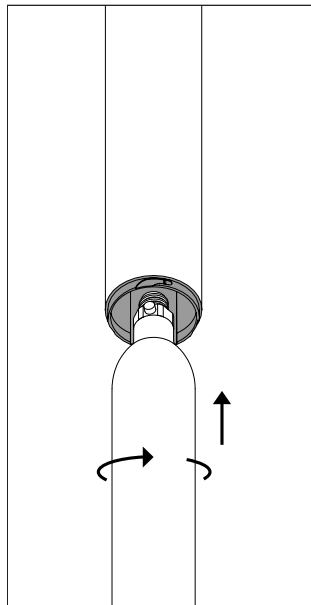
1. Gently press it into the mount. You will hear a click, indicating that the carbonator is properly attached.

The carbonator is now ready for use.



Detaching the Wall-mounted carbonator

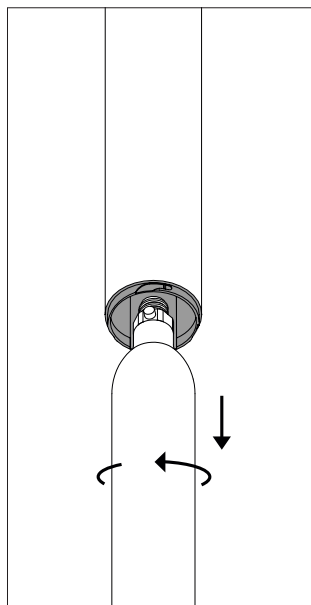
1. Carefully grasp the carbonator by the CO₂ cartridge compartment.
2. Press and hold the release button to detach the carbonator from the wall mount.
3. Pull the carbonator out from the wall mount.



Installation of CO₂ cartridge

1. Remove the seal and protective plug from the CO₂ cartridge.
2. Carefully grasp the carbonator by the CO₂ cartridge compartment and press and hold the release button to detach the carbonator from the wall mount.
3. Turn the carbonator upside down to expose the bottom and twist off the bottom cap from the CO₂ cartridge compartment.
4. Insert the CO₂ cartridge carefully through the hole at the bottom. Avoid dropping the cartridge to prevent internal damage.
5. After inserting the cartridge, twist it clockwise gently to secure it. Avoid using excessive force to fasten the cartridge.
6. Reattach the bottom cap to the CO₂ cartridge compartment and place the carbonator back into the wall mount.

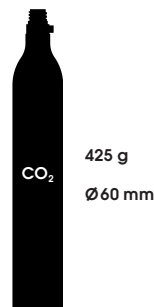
It is now ready for use.



CO₂ cartridge replacement

1. Carefully grasp the carbonator by the CO₂ cartridge compartment and hold the release button to detach it from the wall mount.
2. Turn the carbonator upside down to expose the bottom and twist off the bottom cap from the CO₂ cartridge compartment.
3. Rotate the CO₂ cartridge counterclockwise to release it.
4. After releasing, remove the empty CO₂ cartridge, then follow the "Installation of CO₂ cartridge" instructions to insert a new cartridge.

IMPORTANT: A CO₂ cartridge is not included in the giftbox. These can be purchased in leading supermarkets and department stores.



Amount of carbonation

The amount of carbonation you add to the water depends on your taste preference. With the Brus carbonator, you can easily adjust the carbonation level to your liking. Keep in mind that water's absorption of carbon dioxide depends on various factors.

- Warmer water makes it difficult for CO₂ to bind with the water. For optimal results, use the Brus carbonator with cold water (5°C / 41°F).
- As the carbonation cartridge depletes, less CO₂ will be added gradually. You may need to turn the carbonation knob a bit longer than usual to achieve the same level of carbonation in your water. Never carbonate longer than recommended.
- Before removing the bottle, use the manual pressure release. This action prevents excess carbonation from escaping the system during use, thus prolonging the CO₂ cartridge's lifespan if used as advised.

Carbonation

Normal Sparkling Water: Turn the knob for 3–4 seconds. (Recommended)

Intense Sparkling Water: You may turn the knob for up to 5 seconds.

WARNING: Carbonate for a maximum of 5 seconds. Stop immediately if you hear a hissing sound within this time frame

Adding flavour

Enhance your sparkling water by adding fruit juice or flavor concentrates after carbonation.

Look for flavoring products suitable for carbonated water, available in leading supermarkets and department stores. Follow the instructions provided by the manufacturer for the appropriate quantity.

Add the flavoring directly into the Brus bottle, or use a Stelton glass or pitcher to blend it with the carbonated water.

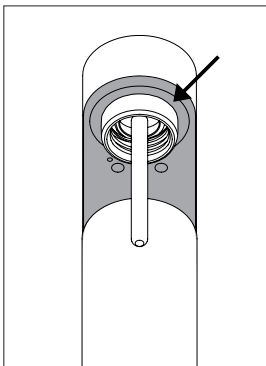
After using any additives, thoroughly clean the bottle to prevent residue from affecting the machine during subsequent use.

WARNING: Carbonating any liquids other than clean water can compromise the Brus Machine's integrity, rendering it unsafe for use.

Stelton shall not be held responsible for any damages resulting from the misuse of the Brus machine that does not adhere to the provided safety instructions.

Overflow of water

What happens if the water exceeds the MAX line?

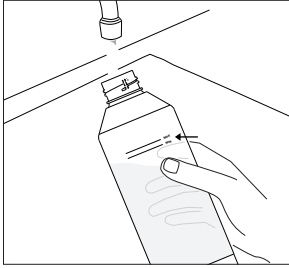


When CO₂ is released, the water in the bottle rises. Overfilling the bottle will cause water to overflow into the machine, resulting in water coming out from both the bottom and top.

Ensure not to fill water above the MAX line or below the MIN line on the Brus bottle. Going over the MAX line can result in water flowing through the pressure relief valves during carbonation, causing leaks from the top to the bottom.

Always keep the water level between the MIN and MAX lines.

WARNING: Overfilling the bottle can be dangerous and harmful to your carbonator.

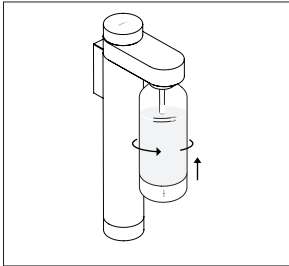


Step 1 – Fill the bottle with water

Fill the bottle with cold, clean water up to the fill line. Exceeding the MAX line will cause water to come out of the pressure relief valve during use.

Recommended water temperature: 5°C (41 °F).

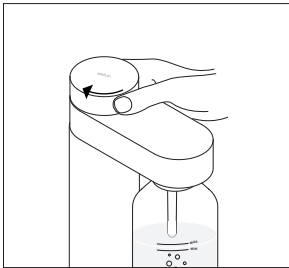
Do not let the water temperature exceed 40°C (104 °F).



Step 2 – Screw in the bottle

Insert the bottle into the thread and twist counter-clockwise to secure it.

Ensure the bottle is firmly secured before use and that the nozzle tip is submerged in water.



Step 3 – Add carbonation

Turn the carbonation knob clockwise for 3–4 seconds for normal sparkling water.

Stop immediately if you hear a hissing sound within this time frame.

WARNING: Use the carbonator exclusively for clean drinking water. Using sugary drinks or beverages with additives can cause the pressure relief valve to get stuck, rendering the carbonator unsafe to use.



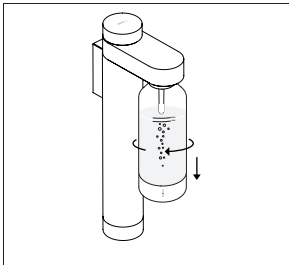
Step 4 – Release excess pressure

Turn the carbonation knob slowly counterclockwise.

Do not let go of the knob when turning counterclockwise.

The excess pressure in the bottle will be released with a hissing sound.

WARNING: Always handle the turning knob with care. After turning it clockwise, release it slowly in a counter-clockwise direction to avoid sudden unwinding, preventing potential damage to the machine.



Step 5 – Unscrew the bottle

Turn your Brus bottle clockwise to unscrew it.

Enjoy your water as it is or add flavour with fruit or syrup.

WARNING: If the excess pressure is not released manually, it will be released when you detach the bottle from the machine

Warranty

The warranty for your machine is only valid if it has been treated in accordance with the recommended use, maintenance and safety instructions.

Safety instructions for the bottle

- Use only drinking water in your Brus bottles. Adding carbonation to other liquids can lead to liquid entering the machine, and additives like sugar might cause the pressure relief valves to stick, compromising safety.
- Do not fill the Brus bottle above the MAX line, as it can lead to water entering the machine and spraying out through the relief valves.
- The Brus bottles are not dishwasher safe and can withstand water temperatures up to 40°C (104°F). Handwash them only.
- Do not freeze the Brus bottles.
- Replace the Brus bottle if it has surpassed its recommended two-year use-by date.
- Do not use discoloured, deformed or cracked water bottles as this poses a safety risk.
- Rinse the Brus bottle thoroughly before each use to prevent bacterial growth.
- Refrain from drinking directly from the bottle to avoid bacterial contamination of the bottle and the machine.
- Use only the designated Brus bottles for your Brus carbonator.

Bottle symbols



Approved for food

This symbol shows that the materials used for the Brus bottle are safe to use for food contact.



Disposal

The Brus bottle is made from PET (1) with a steel (40) shell at the bottom. The lid of the bottle is made from PP (5) with a silicone (7) gasket and steel (40) shell.



Instruction manual

Read the instruction manual for proper use of the Brus bottle, including related safety instructions. The year indicates when the bottle was produced. All bottles must be replaced 2 years after the date of first use.



Not dishwasher safe

The Brus bottle must never be placed in the dishwasher, as this can affect its functionality and thus pose a safety risk.



Temperature range

The Brus bottle can withstand a minimum temperature of 1 °C (34 °F) and a maximum temperature of 40 °C (104 °F). Exceeding these temperatures will damage the bottle and thus pose a safety risk.

Safety instructions for the carbonator and the CO₂ cartridge

- Do not transport your Brus carbonator with the CO₂ cartridge attached in the compartment. Release the cartridge before transport to prevent internal damage.
- Keep your Brus carbonator and CO₂ cartridge out of the reach of children.
- Due to safety concerns, the operation of this machine is strictly restricted to individuals aged 15 years and above.
- Avoid placing your Brus carbonator near heat sources, such as hotplates, radiators, or direct sunlight, as it can affect the CO₂ cartridge's pressure.
- Use only approved CO₂ cartridges for your Brus carbonator to ensure proper functionality and safety.
- Ensure the CO₂ cartridge is firmly screwed in before adding carbonation to your Brus bottle. Over time, it may loosen, affecting its effectiveness.
- Only use Brus bottles for your Brus carbonator. Other bottles may affect the functionality of the machine or pose a safety risk.
- Do not twist the carbonation knob to release CO₂ without first attaching a filled Brus bottle.
- Do not inject CO₂ without a filled Brus bottle attached. Never inject carbonation into an empty bottle. Fill the bottle to at least the MIN line.
- Always use your Brus carbonator in an upright position.
- Never carbonate in a Brus bottle filled above the MAX line or below the MIN line.
- Do not use the Brus carbonator if it is broken or damaged. Contact the place of purchase for assistance instead of attempting repairs yourself.
- If the CO₂ cartridge breaks or is damaged, it cannot be used with your Brus carbonator. Contact the place of purchase for a replacement.

Maintenance

Cleaning the Brus bottle

- Clean your bottle in water (do not exceed 40°C) with a mild detergent and rinse well. Use a bottle brush to clean inside the bottle. Store empty bottles without their caps on to avoid moisture inside the bottle.
- Never use strong solvents or cleaning agents.
- Always rinse your bottle with clean water before filling. Residual products from added flavorings or other substances can affect the carbonator's functionality and safety.

Cleaning the Brus carbonator

- Clean your carbonator with a damp microfibre cloth. A mild detergent can also be used if needed.
- Never use strong solvents or cleaning agents.
- Never wash your carbonator in the dishwasher.
- Never carbonate anything other than clean drinking water.

Descaling the Brus carbonator

- Follow the manufacturer's instructions for the descaling solution, or mix equal parts water and white vinegar.
- Fill the BRUS bottle with the descaling solution up to the max line.
- Make sure the water level covers the spout tip but does not exceed the max line.
- Carbonate the solution for 1-2 seconds.
- Let the solution sit in the bottle for 15 minutes.
- Empty the bottle and rinse it thoroughly. Clean the spout to remove any descaling solution.
- Fill the bottle with clean water and carbonate as normal. Do this one time before resuming normal use to ensure all descaling solution is washed away.
- If the result is not satisfactory, repeat the process.

Complaint

Right to complain according to applicable legislation. Complaints must be accompanied by a machine-stamped receipt/purchase receipt including the date of purchase. In the event of a complaint, the carbonator must be returned to the place of purchase.

Stelton A/S

Christianshavns Kanal 4
DK-1406 Copenhagen
Denmark
www.stelton.com

Disposal of the carbonator

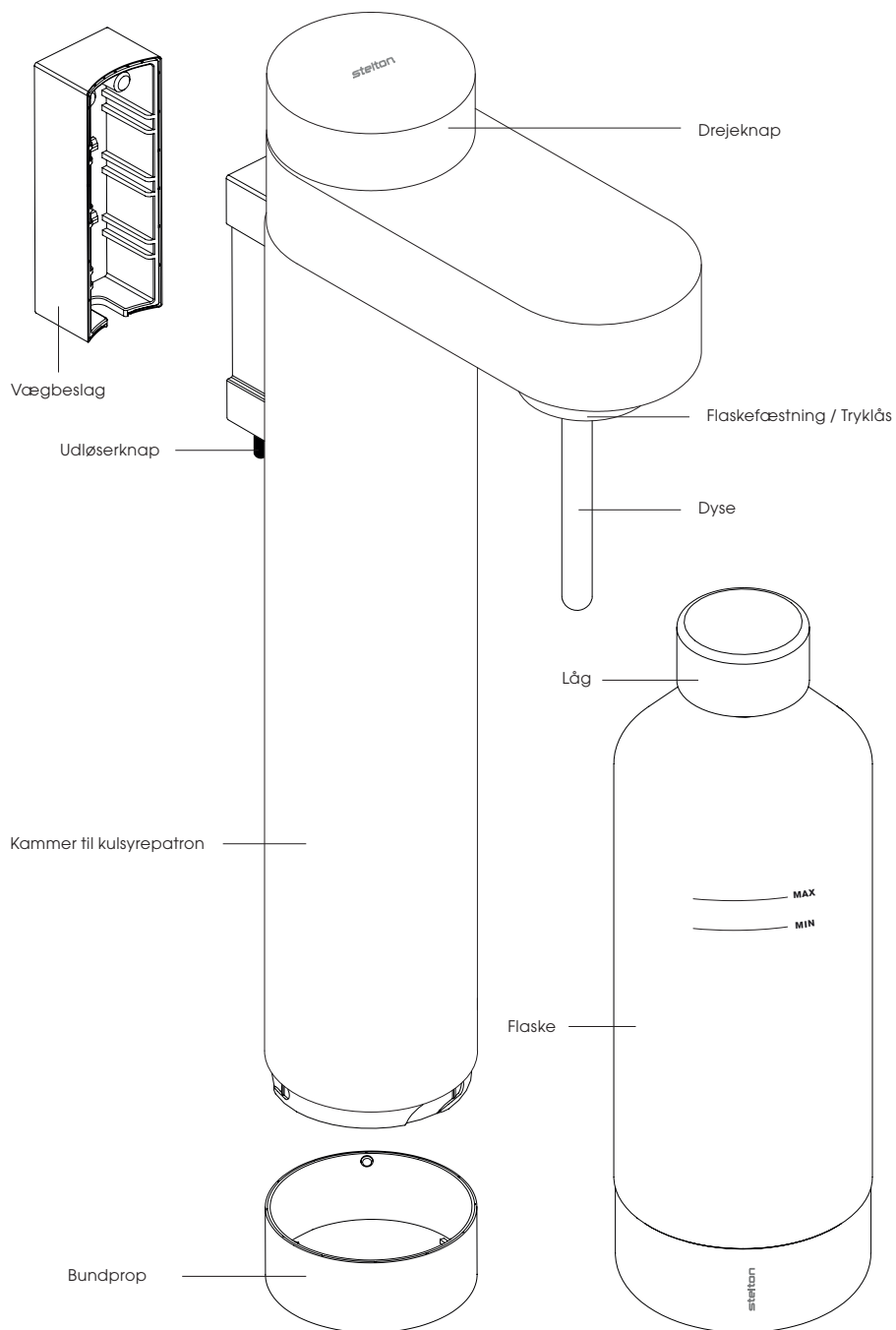


When disposing of the Brus carbonator or Brus bottles, applicable national and international legislation states that the machine must be disposed of through a municipal recycling facility.

Technical data

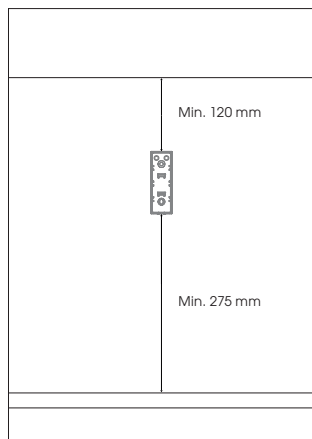
Brus carbonator
Carbonator with bottle included
Carbonation cartridge not included
Bottle volume (MAX indicator): 900 ml.
Operating pressure: 7-9 Pa
Max. water temperature: 40°C (104°F)
Min. water temperature: 1°C (34°F)

We reserve the right to make ongoing changes and improvements to the instruction manual.



Læs brugs- og sikkerhedsinstruktionerne i denne manual, før du bruger din Brus kulsyre-maskine første gang.

Brugsvejledning



Installation af vægbeslaget

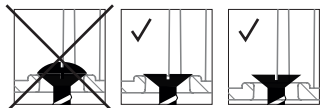
1. Vælg en passende væg, gerne i køkkenet eller et åbent bar- eller restaurantområde.
2. Placer vægbeslaget på væggen og marker de to boringshuller med en markør. Sørg for, at beslaget er vandret ved at bruge et vaterpas.

VIGTIGT: Sørg for, at bunden af vægbeslaget er mindst 275 mm over bordoverfladen og at der er 120 mm ovenover.

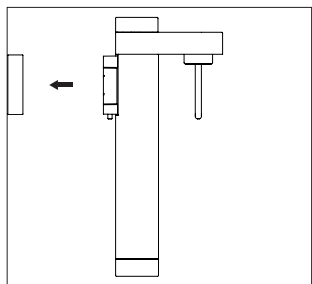
3. Brug to fladhoved skruer (Ø4–5 mm) sammen med matchende ekspanderende rawplugs for, at fastgøre beslaget til væggen. Følg den medfølgende monteringsvejledning for korrekt installation.

VIGTIGT: Sørg for, at åbningen til udløserknappen på vægbeslaget vender nedad.

4. Når skrueerne er på plads, sørg for at skruehovederne flugter med toppen af skruetårnet. Dette indikerer, at vægbeslaget er sikkert fastgjort til væggen.



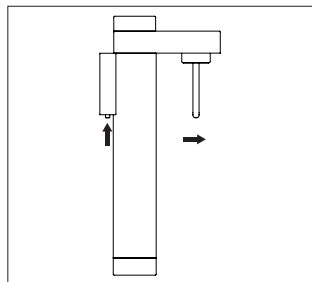
VIGTIGT: Da vægmaterialer varierer, medfølger skrue og rawplugs til vægmontering ikke. Brug skrue og rawplugs, der er egnede til dine vægge.



Montering af den væghængte kulsyre-maskine

1. Tryk forsigtigt kulsyre-maskinen ind i vægbeslaget. Du vil høre et klik, hvilket indikerer, at kulsyre-maskinen er korrekt fastgjort.

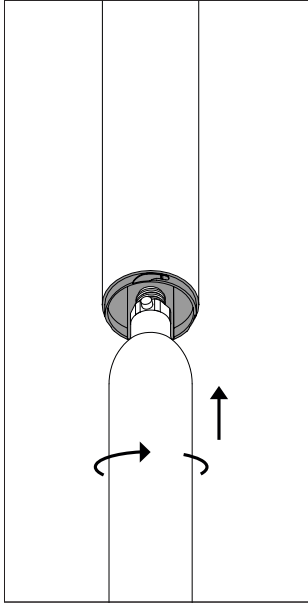
Kulsyre-maskinen er nu klar til brug.



Afmontering af den væghængte kulsyre-maskine

1. Tag forsigtigt din kulsyre-maskine op ved kulsyrepatronkammeret.
2. Tryk og hold udløserknappen nede for, at afmontere kulsyre-maskinen fra vægbeslaget.
3. Træk kulsyre-maskinen ud af vægbeslaget.

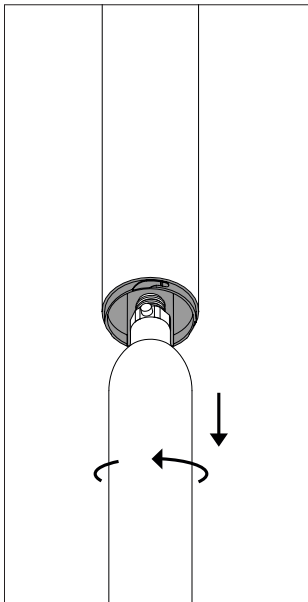
Montering af kulsyrepatron



1. Fjern forseglingen og den beskyttende prop fra kulsyrepatronen.
2. Tag forsigtigt din kulsyre-maskine op ved kulsyrepatronkammeret og tryk og hold udløserknappen nede for at afmontere kulsyre-maskinen fra vægbeslaget.
3. Vend kulsyre-maskinen på hovedet, så bunden er synlig og drej bundproppen af kulsyrepatronkammeret.
4. Indsæt forsigtigt kulsyrepatronen gennem det nederste hul. Tab ikke patronen ned i hullet, da det kan forårsage skade på indre komponenter.
5. Når kulsyrepatronen er indført i kammeret, drejes patronen med uret rundt for at fastgøre den. Gør dette forsigtigt - der skal ikke lægges kræfter i for at fæstne flasken.
6. Sæt bundknappen på kulsyrepatronkammeret og placer din kulsyre-maskine tilbage i vægbeslaget.

Den er nu klar til brug.

Udskiftning af kulsyrepatron



1. Tag forsigtigt din kulsyre-maskine op ved kulsyrepatronkammeret og tryk og hold udløserknappen nede for at afmontere kulsyre-maskinen fra vægbeslaget.
2. Vend kulsyre-maskinen på hovedet, så bunden er synlig og drej bundproppen af kulsyrepatronkammeret.
3. Drej kulsyrepatronen mod uret for at løsne den.
4. Når den er løsnet, trækkes den tomme kulsyrepatron ud, og "Montering af kulsyrepatron" gentages for at indsætte en ny patron.

VIGTIGT: Kulsyrepatron købes separat. Disse kan købes i førende supermarkeder og stormagasiner.



425 g
Ø 60 mm

Mængden af kulsyre

Mængden af kulsyre, du tilføjer til vandet, afhænger af din smagspræference. Med Brus kulsyremaskinen kan du nemt justere kulsyreindholdet efter din smag. Husk, at vandets optagelse af CO₂ afhænger af forskellige faktorer.

- Varmere vand gør det vanskeligere for CO₂ at binde sig med vandet.
For optimale resultater, brug Brus kulsyremaskinen med koldt vand (5°C / 41°F).
- Når kulsyrepatronen bliver tømmt, vil der gradvist blive tilføjet mindre CO₂. Du skal muligvis dreje på kulsyreknappen lidt længere end normalt for at opnå samme niveau af kulsyre i dit vand. Karbonisér aldrig længere end anbefalet.
- Inden du fjerner flasken, skal du bruge den manuelle trykafstæning. Denne handling forhindrer overskydende kulsyre i at slippe ud af systemet under brug og forlænger dermed CO₂-patronens levetid, hvis den bruges som anvist.

Kulsyreiveauer

Almindeligt dansk vand: Drej knappen i 3–4 sekunder. (Anbefalet)

Intens dansk vand: Du kan dreje knappen i op til 5 sekunder.

ADVARSEL: Karbonisér i højst 5 sekunder. Stop straks, hvis du hører en hvæsende lyd i løbet af denne tidsramme.

Tilsætning af smag

Du kan tilføje smag til dit kulsyrevand med saft og sirupper. Der findes forskellige mærker af sirupper specielt udviklet til brug sammen med kulsyremaskiner. Disse kan købes i førende supermarkeder og stormagasiner. Mængden af koncentrat afhænger af mærket, så følg altid producentens instruktioner.

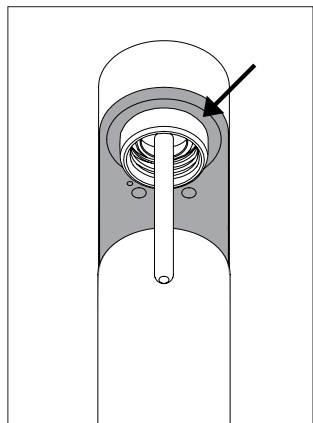
Du kan tilføje smagssirup direkte i Brus-flasken eller bruge dit yndlingsglas eller -kande fra Stelton til at blande sirup og kulsyrevand.

Vask altid flasken grundigt, når der har været sukkerholdigt vand i den, så sukkeret ikke bobler op i maskinen, næste gang du bruger den.

ADVARSEL: Karbonisering af væsker udover vand kan vanskeliggøre BRUS-maskinens ydeevne og gøre den usikker at anvende.

Stelton påtager sig intet ansvar for eventuelle skader, der skyldes misbrug af Brus-maskinen, som ikke overholder de angivne sikkerhedsinstruktioner.

Overløb af vand



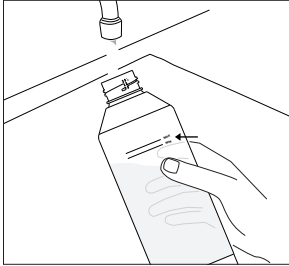
Hvad sker der hvis vandet overstiger MAX-linjen?

Når CO₂ frigives, stiger vandet i flasken. Hvis flasken fyldes for meget, vil vandet løbe over i maskinen, hvilket resulterer i at vandet løber ud både fra bunden og toppen.

Sørg for ikke at fylde vand over MAX-linjen eller under MIN-linjen på Brus-flasken. At overskride MAX-linjen kan resultere i, at vandet strømmer gennem trykafstæningsventilerne under karbonisering og forårsager lækager fra toppen til bunden.

Hold altid vandstanden mellem MIN- og MAX-linjerner.

ADVARSEL: Overfyldning af flasken kan være farlig og skadelig for din karbonator.

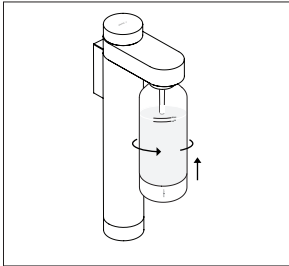


Trin 1 - Fyld flasken med vand

Fyld flasken med koldt, rent vand op til fyldelinjen. Hvis du overskrider MAX-linjen, vil vandet komme ud af trykafslutningsventilen under brug.

Anbefalet vandtemperatur: 5°C (41°F).

Lad ikke vandtemperaturen overstige 40°C (104°F).



Trin 2 - Skru flasken i

Sæt flasken ind i gevindet og drej mod uret for at låse den fast.

Sørg for, at flasken er fastgjort ordentligt, inden du bruger den, og at dysetippen er nedsænket i vand.

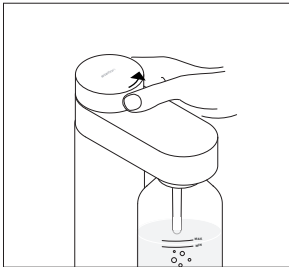


Trin 3 - Tilsætning af kulsyre

Drej drejeknappen med uret i 3-4 sekunder for almindeligt dansk vand.

Stop straks, hvis du hører en hvæsende lyd i løbet af denne tidsramme.

ADVARSEL: Brug Brus kulsyre-maskinen udelukkende til rent drikkevand. Brug af sukkerholdige drikkevarer eller drikkevarer med tilsætningsstoffer kan forårsage, at trykafslutningsventilen sidder fast, hvilket gør Brus kulsyre-maskinen usikker at bruge.



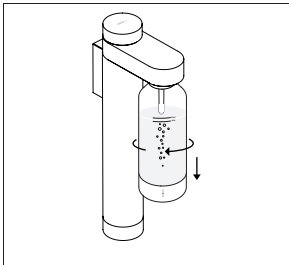
Trin 4 - Frigør overskydende tryk

Drej drejeknappen langsomt mod uret.

Slip ikke drejeknappen mens du drejer mod uret.

Det overskydende tryk i flasken vil blive frigivet med en hvæsende lyd.

ADVARSEL: Håndter altid drejeknappen forsigtigt. Efter at have drejet det med uret, drej det langsomt imod urets retning for at undgå pludselig optræk, hvilket kan forårsage potentiel skade på maskinen.



Trin 5 - Skru flasken af

Drej din Brus-flaske med uret for at skru den af.

Nyde dit vand, som det er, eller tilsæt smag med frugt eller sirup.

ADVARSEL: Hvis det overskydende tryk ikke frigives manuelt, vil det blive frigivet, når du fjerner flasken fra maskinen.

Garanti

Garantien for din maskine er kun gyldig, hvis den er behandlet i overensstemmelse med de anbefalede brugs-, vedligeholdelses- og sikkerhedsinstruktioner.

Sikkerhedsinstruktioner til flasken

- Brug kun drikkevand i dine Brus-flasker. Tilsætning af kulsyre til andre væsker kan føre til, at væske kommer ind i maskinen, og tilsætningsstoffer som sukker kan få trykafslastningsventilerne til at sidde fast, hvilket kan kompromittere sikkerheden.
- Fyld ikke Brus-flasken over MAX-linjen, da det kan føre til, at vand kommer ind i maskinen og sprøjter ud gennem trykafslastningsventilerne..
- Brus-flaskerne tåler ikke opvaskemaskine og kan modstå vandtemperaturer op til 40°C.
- Frys ikke Brus-flaskerne.
- Brug ikke Brus-flasker, der har overskredet deres brugsdato, da dette udgør en sikkerhedsrisiko. En Brus flaske skal udskiftes to år efter første brugsdato.
- Brug ikke misfarvede, deforme eller revnede vandflasker, da dette udgør en sikkerhedsrisiko.
- Skyl Brus-flasken grundigt inden hver brug for at forhindre bakterievækst.
- Undgå at drikke direkte fra flasken for at mindske bakterieforurening af flasken og maskinen.
- Brug kun de designerede Brus-flasker til din Brus kulsyre maskinen

Flaskesymboler



Fødevaregodkendt

Dette symbol viser, at materialet der bruges til Brus-flasken er sikkert at anvende til fødevarerkontakt.



Bortskaffelse

Brus-flasken er lavet af PET (1) med en stålkappe (40) i bunden. Flaskens låg er lavet af PP (5) med en silikone (7) pakning og stålkappe (40).



Instruktionsmanual

Læs instruktionsmanualen for korrekt brug af Brus-flasken, inklusiv relaterede sikkerhedsinstruktioner. Årstallet viser, hvornår flasken blev produceret. Alle flasker skal udskiftes 2 år efter datoen for første brug.



Tåler ikke opvaskemaskine

Brus-flasken må aldrig komme i opvaskemaskinen, da dette kan beskadige dens funktionalitet og dermed udgøre en sikkerhedsrisiko.



Temperaturinterval

Brus-flasken kan tolerere en minimumstemperatur på 1°C (34°F) og en maksimaltemperatur på 40°C (104°F). Overskridelse af dette vil beskadige flasken og dermed udgøre en sikkerhedsrisiko.

Sikkerhedsinstruktioner for karbonatoren og CO₂-patronen

- Transporter ikke din Brus kulsyre maskinen med CO₂-patronen fastgjort i rummet. Frigør altid patronen inden transport.
- Opbevar din Brus kulsyre maskine utilgængeligt for børn.
- Af sikkerhedsmæssige årsager er betjeningen af denne maskine strengt begrænset til personer på 15 år og derover.
- Undgå at placere din Brus kulsyre maskinen nær varmekilder, såsom varmeplader, radiatorer eller direkte sollys, da det kan påvirke CO₂-patronens tryk.
- Brug kun godkendte CO₂-patroner til din Brus kulsyre maskinen for at sikre korrekt funktionalitet og sikkerhed.
- Sørg for, at CO₂-patronen er fast skruet ind, inden du tilføjer kulsyre til din Brus-flaske. Over tid kan den løsne sig og påvirke dens effektivitet.
- Brug kun Brus-flasker til din Brus kulsyre maskinen. Andre flasker kan påvirke maskinens funktionalitet eller udgøre en sikkerhedsrisiko.
- Drej aldrig drejeknappen for at frigive CO₂ uden først at fastgøre en fyldt Brus-flaske.
- Frigiv aldrig CO₂ uden en fyldt Brus-flaske fastgjort. Indsprøjt aldrig CO₂ i en tom flaske.
- Sprøjt aldrig CO₂ ind i en tom vandflaske. Dette er meget farligt. Fyld altid som minimum vand til MIN-indikatoren.
- Brug altid din Brus kulsyre maskine i en opretstående stilling.
- Fyld aldrig en Brus-flaske over MAX-linjen eller under MIN-linjen.
- Brug ikke Brus kulsyre maskinen, hvis den er brudt eller beskadiget. Kontakt købsstedet for hjælp i stedet for at forsøge at reparere den selv.
- Hvis CO₂-patronen går i stykker eller er beskadiget, kan den ikke bruges med din Brus kulsyre maskinen. Kontakt købsstedet for en erstatning.

Vedligeholdelse

Rengøring af Brus-flasken

- Rengør din flaske i varmt vand (må ikke overstige 40°C) med mildt rengøringsmiddel og skyl godt. Brug en flaskebørste for optimal rengøring indvendig. Opbevar tomme flasker uden låg, for at undgå fugt inden i flasken.
- Brug aldrig stærke opløsnings- og rengøringsmidler.
- Skyl altid din flaske med rent vand før påfyldning. Hvis der kommer restprodukter fra fx tilsat smag eller lignende i systemet, risikerer kulsyre-maskinen at fejle, og den er dermed ikke sikker at bruge.

Rengøring af Brus kulsyre-maskinen

- Rengør din kulsyre-maskine med en fugtig mikrofiberklud. En mild sæbe kan også bruges, hvis det er nødvendigt.
- Brug aldrig stærke opløsnings- og rengøringsmidler.
- Vask aldrig din kulsyre-maskine i opvaskemaskinen.
- Tilsæt aldrig kulsyre til andet end rent drikkevand.

Afkalkning af Brus kulsyre-maskinen

- Følg producentens anvisninger for afkalkningsopløsningen, eller bland lige dele vand og hvid eddike.
- Fyld BRUS-flasken med afkalkningsopløsningen op til max-linjen.
- Sørg for, at vandniveauet dækker tuden, men ikke overstiger max-linjen.
- karboner opløsningen i 1-2 sekunder.
- Lad opløsningen stå i flasken i 15 minutter.
- Tøm flasken og skyl den grundigt. Rens tuden for at fjerne eventuel afkalkningsopløsning.
- Fyld flasken med rent vand og karboner som normalt. Gør dette én gang før normal brug for at sikre, at al afkalkningsopløsning er skyllet væk.
- Hvis resultatet ikke er tilfredsstillende, gentag processen.

Reklamation

Reklameringsret i henhold til gældende lovgivning. Maskinafstemplet kassebon/købskvittering med købsdato skal vedlægges i tilfælde af reklamation. Ved reklamation skal kulsyre-maskinen indleveres, hvor den er købt.

Stelton A/S
Christianshavns Kanal 4
1406 København K
Danmark
www.stelton.dk

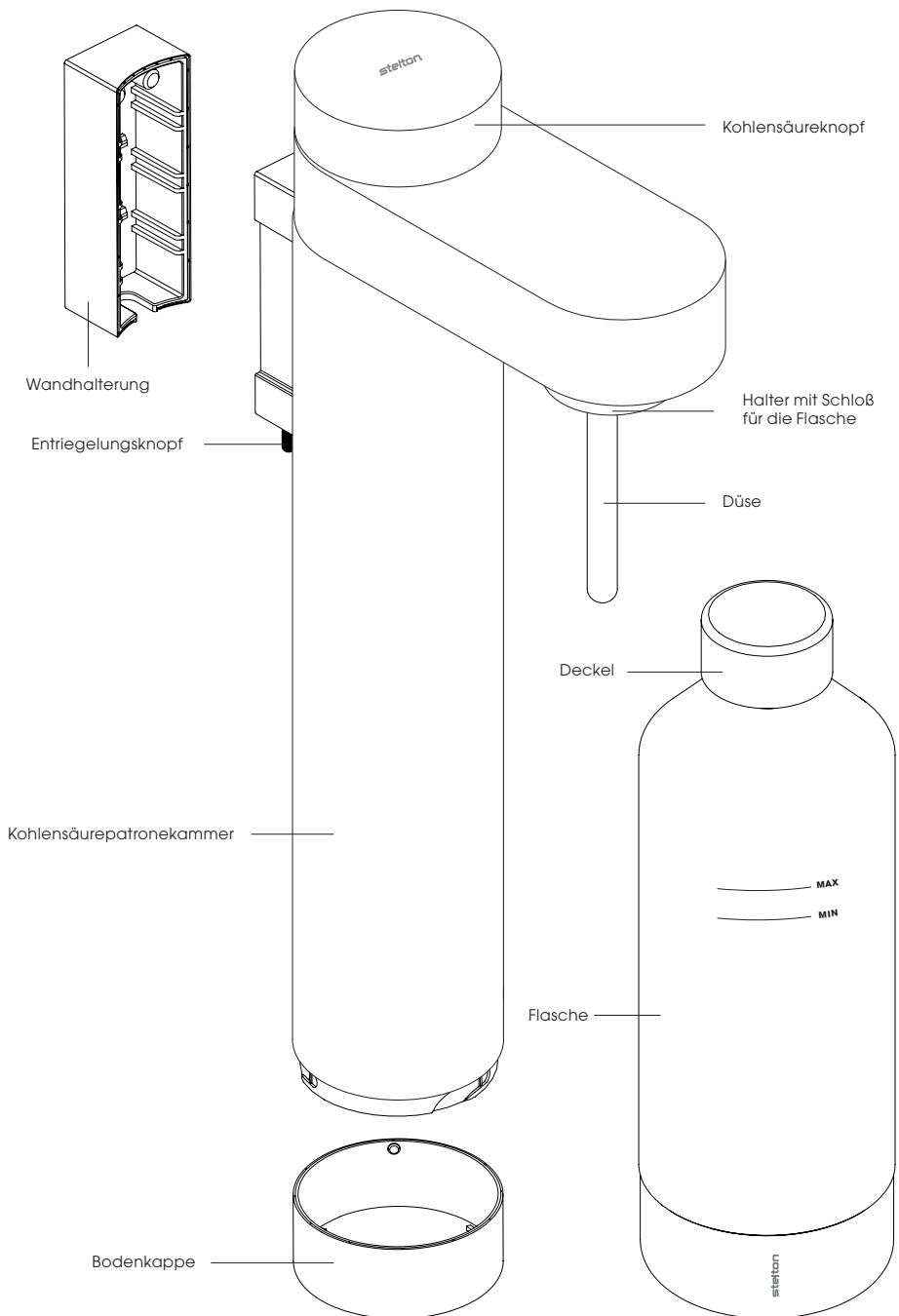
Bortskaffelse af kulsyre-maskinen

Ved bortskaffelse af Brus kulsyre-maskinen eller Brus-flasker slår den gældende nationale og international lovgivning fast, at maskinen skal bortskaffes gennem et kommunalt genbrugsanlæg.

Teknisk data

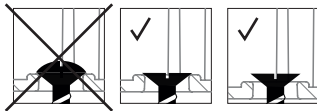
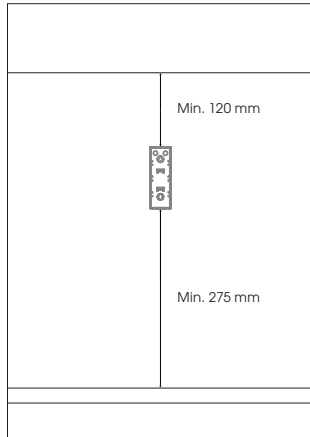
Brus kulsyre-maskine
Kulsyre-maskine med flaske inkluderet
Kulsyrepatron medfølger ikke
Flaske volumen (MAX. indikator): 900 ml.
Betjeningstryk: 7-9 Pa
Max. anvendt vandtemperatur: 40°C (104°F)
Min. anvendt vandtemperatur: 1°C (34°F)

Ret til løbende ændringer og forbedringer i instruktionsvejledningen forbeholdes.



Lesen Sie vor dem ersten Gebrauch Ihres Brus Wassersprudlers die Bedienungs- und Sicherheitshinweise in dieser Anleitung.

Gebrauchsanleitung



Montage der Wandhalterung

1. Wählen Sie eine passende Wand, am besten in der Küche oder einem offenen Bar- oder Restaurantbereich.
2. Platzieren Sie die Wandhalterung an der Wand und markieren Sie mit einem Stift die beiden Bohrlöcher. Stellen Sie mit einer Wasserwaage sicher, dass die Halterung waagrecht ist.

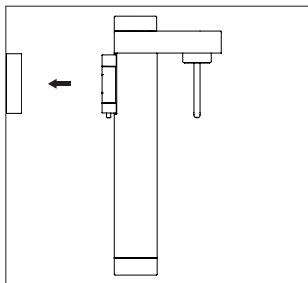
WICHTIG: Stellen Sie sicher, dass die Unterseite der Wandhalterung mindestens 275 mm über der Tischoberfläche liegt und 120 mm darüber.

3. Befestigen Sie die Halterung mit zwei Flachkopfschrauben ($\text{\O}4\text{-}5\text{ mm}$) und passenden Spreizdübeln an der Wand. Informationen zur ordnungsgemäßen Installation finden Sie in der mitgelieferten Montageanleitung.

WICHTIG: Stellen Sie sicher, dass die Aussparung für den Entriegelungsknopf an der Wandhalterung nach unten zeigt.

4. Sobald die Schrauben angebracht sind, stellen Sie sicher, dass die Schraubenköpfe bündig mit der Oberseite des Schraubenturms abschließen. Dies zeigt an, dass die Wandhalterung sicher an der Wand befestigt ist.

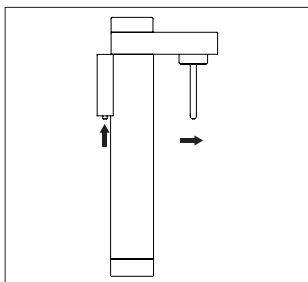
WICHTIG: Da Wandmaterialien variieren, sind Schrauben und Spreizdübel für die Wandbefestigung nicht im Lieferumfang enthalten. Verwenden Sie Schrauben und Spreizdübel, die für Ihre Wände geeignet sind.



Anbringen der Wandhalterung Wassersprudler

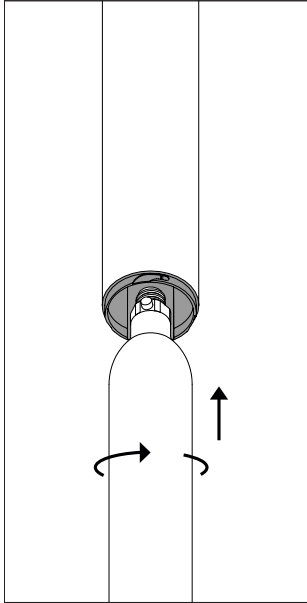
1. Dücken Sie der vorsichtig in die Halterung. Sie hören ein Klicken, das anzeigt, dass der Wassersprudler richtig angebracht ist.

Der Wassersprudler ist nun betriebsbereit.



Abnehmen der Wandhalterung Wassersprudler

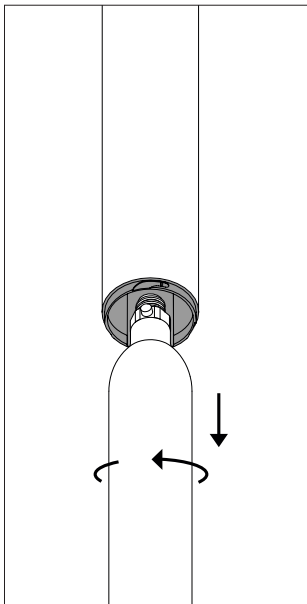
1. Fassen Sie ihn Wassersprudler vorsichtig am CO_2 -Kartuschenfach an.
2. Drücken und halten Sie die Entriegelungstaste, um den Wassersprudler von der Wandhalterung zu lösen.
3. Ziehen Sie den Wassersprudler aus der Wandhalterung heraus.



Einsetzen der Kohlensäurepatrone

1. Entfernen Sie die Dichtung und den Schutzstopfen von der CO₂-Kartusche.
2. Fassen Sie den Wassersprudler vorsichtig am CO₂-Kartuschenfach an und drücken und halten Sie den Entriegelungsknopf, um den Wassersprudler von der Wandhalterung zu lösen.
3. Drehen Sie den Wassersprudler um, um den Boden freizulegen, und drehen Sie die Bodenkappe vom CO₂-Kartuschenfach ab.
4. Setzen Sie die CO₂-Kartusche vorsichtig durch das Loch am Boden ein. Vermeiden Sie das Fallenlassen der Kartusche, um innere Schäden zu vermeiden.
5. Nach dem Einsetzen der Kartusche drehen Sie sie vorsichtig im Uhrzeigersinn, um sie zu befestigen. Vermeiden Sie übermäßige Kraft, um die Kartusche zu befestigen.
6. Bringen Sie die Bodenkappe wieder am CO₂-Kartuschenfach an und setzen Sie den Karbonator wieder in die Wandhalterung ein.

Es ist nun gebrauchsfertig.



Austausch der Kohlensäurepatrone

1. Fassen Sie den Wassersprudler vorsichtig am CO₂-Kartuschenfach an und drücken und halten Sie den Entriegelungsknopf, um den Wassersprudler von der Wandhalterung zu lösen.
2. Drehen Sie den Wassersprudler um, um den Boden freizulegen, und drehen Sie die Bodenkappe vom CO₂-Kartuschenfach ab.
3. Drehen Sie die CO₂-Kartusche gegen den Uhrzeigersinn, um sie zu lösen.
4. Nach dem Lösen entfernen Sie die leere CO₂-Kartusche und befolgen Sie dann die Anweisungen zum "Einsetzen der CO₂-Kartusche", um eine neue Kartusche einzusetzen.



425 g

Ø60 mm

WICHTIG: Die Kohlensäurepatrone muss separat gekauft werden. Diese sind in führenden Supermärkten und Kaufhäusern erhältlich.

Die Menge an Kohlensäure

Die Menge der Kohlensäure, die Sie dem Wasser hinzufügen, hängt von Ihrem Geschmack ab. Mit dem Brus Carbonator können Sie den Kohlensäuregehalt ganz einfach nach Ihren Wünschen anpassen. Beachten Sie, dass die Aufnahme von Kohlendioxid durch Wasser von verschiedenen Faktoren abhängt.

- Wärmeres Wasser erschwert es CO₂, sich mit dem Wasser zu verbinden. Für optimale Ergebnisse verwenden Sie den Brus Carbonator mit kaltem Wasser (5°C / 41 °F).
- Wenn die Kohlensäurekartusche sich erschöpft, wird allmählich weniger CO₂ hinzugefügt. Möglicherweise müssen Sie den Kohlensäureknopf etwas länger drehen als gewöhnlich, um den gleichen Kohlensäuregehalt in Ihrem Wasser zu erreichen. Niemals länger karbonisieren als empfohlen.
- Bevor Sie die Flasche entfernen, verwenden Sie die manuelle Druckentlastung. Diese Maßnahme verhindert, dass überschüssige Kohlensäure während des Gebrauchs aus dem System entweicht und verlängert so die Lebensdauer der CO₂-Kartusche, wenn sie wie empfohlen verwendet wird.

Kohlensäuregehalt

Normales Sprudelwasser: Drehen Sie den Knopf für 3–4 Sekunden (empfohlen).

Intensives Sprudelwasser: Sie können den Knopf bis zu 5 Sekunden lang drehen.

WARNUNG: Karbonisieren Sie maximal 5 Sekunden lang. Stoppen Sie sofort, wenn Sie innerhalb dieses Zeitrahmens ein Zischen hören.

Geschmack hinzufügen

Verbessern Sie Ihr Sprudelwasser, indem Sie nach der Karbonisierung Fruchtsaft oder Aromakonzentrate hinzufügen.

Suchen Sie nach Aromaprodukten, die für kohlenstoffhaltiges Wasser geeignet sind. Sie sind in führenden Supermärkten und Kaufhäusern erhältlich. Befolgen Sie die Anweisungen des Herstellers für die richtige Menge.

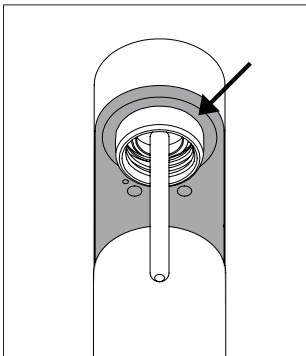
Fügen Sie das Aroma direkt in die Brus-Flasche ein oder verwenden Sie ein Stelton-Glas oder einen Krug, um es mit dem kohlenstoffhaltigen Wasser zu mischen.

Nach der Verwendung von Zusatzstoffen reinigen Sie die Flasche gründlich, um zu verhindern, dass Rückstände die Maschine bei der anschließenden Verwendung beeinträchtigen.

WARNUNG: Die Karbonisierung anderer Flüssigkeiten als sauberem Wasser kann die Funktionalität der BRUS-Maschine beeinträchtigen und sie unsicher machen.

Stelton übernimmt keine Verantwortung für Schäden, die durch den Missbrauch der Brus-Maschine unter Nichtbeachtung der bereitgestellten Sicherheitshinweise entstehen.

Überlaufen des Wassers



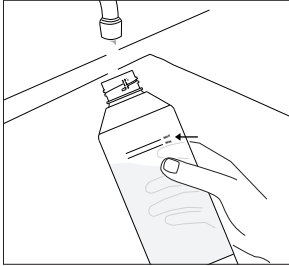
Was passiert, wenn das Wasser die MAX-Linie überschreitet?

Wenn CO₂ freigesetzt wird, steigt das Wasser in der Flasche an. Das Überfüllen der Flasche führt dazu, dass Wasser in die Maschine überläuft und sowohl von unten als auch von oben austritt.

Stellen Sie sicher, dass Sie Wasser nicht über die MAX-Linie oder unter die MIN-Linie auf der Brus-Flasche füllen. Das Überschreiten der MAX-Linie kann dazu führen, dass Wasser während der Karbonisierung durch die Druckentlastungsventile fließt und Lecks von unten verursacht.

Halten Sie den Wasserstand immer zwischen den MIN- und MAX-Linien.

WARNUNG: Das Überfüllen der Flasche kann gefährlich und schädlich für Ihren Kohlensäurebereiter sein.

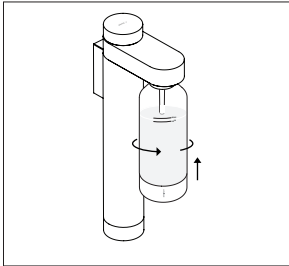


Schritt 1 – Die Flasche mit Wasser füllen

Füllen Sie die Flasche mit kaltem, sauberem Wasser bis zur Fülllinie. Das Überschreiten der MAX-Linie führt während des Gebrauchs dazu, dass Wasser aus dem Druckentlastungsventil austritt.

Empfohlene Wassertemperatur: 5 °C (41 °F).

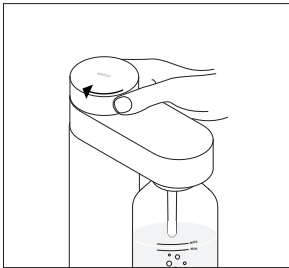
Lassen Sie die Wassertemperatur nicht über 40 °C (104 °F) steigen.



Schritt 2 – Die gefüllte Flasche anbringen

Führen Sie die Flasche in das Gewinde ein und drehen Sie sie gegen den Uhrzeigersinn, um sie zu sichern.

Stellen Sie sicher, dass die Flasche vor der Verwendung fest gesichert ist und dass die Düsen Spitze in Wasser eingetaucht ist.

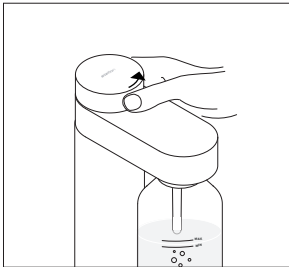


Schritt 3 – Zugabe von Kohlensäure

Drehen Sie den Karbonisierungsknopf für 3–4 Sekunden im Uhrzeigersinn für normales Sprudelwasser.

Stoppen Sie sofort, wenn Sie innerhalb dieses Zeitrahmens ein Zischen hören.

WARNUNG: Verwenden Sie den Kohlensäurebereiter ausschließlich für sauberes Trinkwasser. Die Verwendung von zuckerhaltigen Getränken oder Getränken mit Zusatzstoffen kann dazu führen, dass das Druckentlastungsventil stecken bleibt und den Kohlensäurebereiter unsicher macht.



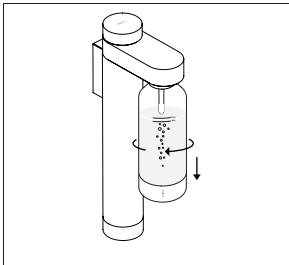
Schritt 4 – Flaschendruck ausgleichen

Drehen Sie den Karbonisierungsknopf langsam gegen den Uhrzeigersinn.

Lassen Sie den Knopf beim Drehen gegen den Uhrzeigersinn nicht los.

Der überschüssige Druck in der Flasche wird mit einem Zischen freigesetzt.

WARNUNG: Behandeln Sie den Drehknopf immer vorsichtig. Nach dem Drehen im Uhrzeigersinn lassen Sie ihn langsam in entgegengesetzter Richtung los, um plötzliches Entwirren zu vermeiden und potenzielle Schäden an der Maschine zu verhindern.



Schritt 5 – Lösen der Flasche

Drehen Sie Ihre Brus-Flasche im Uhrzeigersinn, um sie zu lösen.

Genießen Sie Ihr Wasser, wie es ist, oder fügen Sie Geschmack mit Früchten oder Sirup hinzu.

WARNUNG: Wenn der überschüssige Druck nicht manuell freigesetzt wird, wird er freigesetzt, wenn Sie die Flasche von der Maschine abnehmen.

Garantie

Die Garantie für Ihre Maschine gilt nur, wenn die empfohlenen Pflege- und Sicherheitshinweise eingehalten wurden.

Sicherheitshinweise für die Flasche

- Verwenden Sie ausschließlich Trinkwasser in Ihren Brus-Flaschen. Das Hinzufügen von Kohlensäure zu anderen Flüssigkeiten kann dazu führen, dass Flüssigkeit in die Maschine gelangt, und Zusatzstoffe wie Zucker können dazu führen, dass die Druckentlastungsventile stecken bleiben und die Sicherheit beeinträchtigen.
- Füllen Sie die Brus-Flasche nicht über die MAX-Linie, da dies dazu führen kann, dass Wasser in die Maschine gelangt und durch die Entlastungsventile spritzt.
- Die Brus-Flaschen sind nicht spülmaschinenfest und können Wassertemperaturen von bis zu 40°C (104°F) standhalten. Waschen Sie sie nur von Hand.
- Frieren Sie die Brus-Flaschen nicht ein.
- Ersetzen Sie die Brus-Flasche, wenn sie ihr empfohlenes Verfallsdatum von zwei Jahren überschritten hat.
- Verwenden Sie keine verfärbten, verformten oder gerissenen Wasserflaschen, da dies ein Sicherheitsrisiko darstellt.
- Spülen Sie die Brus-Flasche vor jeder Verwendung gründlich aus, um die Bildung von Bakterien zu vermeiden.
- Verzichten Sie darauf, direkt aus der Flasche zu trinken, um eine bakterielle Kontamination der Flasche und der Maschine zu vermeiden.
- Verwenden Sie nur die dafür vorgesehenen Brus-Flaschen für Ihren Brus-Kohlensäurebereiter.

Flaschensymbole



Für Lebensmittel zugelassen

Dieses Symbol kennzeichnet, dass das für die Brus-Flasche verwendete Material für den Kontakt mit Lebensmitteln unbedenklich ist.



Entsorgung

Die Brus-Flasche besteht aus PET (1) mit einer Kappe aus Stahl (40) am Boden. Der Flaschendeckel besteht aus PP (5) mit einer Dichtung aus Silikon (7) und einer Kappe aus Stahl (40).



Bedienungsanleitung

Lesen Sie die Bedienungsanleitung für die ordnungsgemäße Verwendung der Brus-Flasche, einschließlich der zugehörigen Sicherheitshinweise. Die Jahreszahl zeigt, wann die Flasche hergestellt worden ist. Alle Flaschen müssen 2 Jahre nach dem Zeitpunkt der ersten Verwendung ersetzt werden.



Nicht spülmaschinenfest

Geben Sie die Brus-Flasche niemals in die Spülmaschine, da dies ihre Funktionalität beeinträchtigen und somit ein Sicherheitsrisiko darstellen kann.



Temperaturbereich

Die Brus-Flasche hält einer Mindesttemperatur von 1°C (34°F) und einer Höchsttemperatur von 40°C (104°F) stand. Eine Überschreitung führt zur Beschädigung der Flasche und birgt folglich ein Sicherheitsrisiko.

Sicherheitshinweise für den Wassersprudler und die CO₂-Kartusche

- Transportieren Sie Ihren Brus-Carbonator nicht mit der angeschlossenen CO₂-Kartusche im Fach. Entfernen Sie die Kartusche vor dem Transport, um interne Schäden zu vermeiden.
- Bewahren Sie Ihren Brus-Carbonator und die CO₂-Kartusche außerhalb der Reichweite von Kindern auf.
- Aufgrund von Sicherheitsbedenken ist die Bedienung dieser Maschine streng auf Personen ab 15 Jahren beschränkt.
- Vermeiden Sie es, den Brus-Carbonator in der Nähe von Wärmequellen wie Kochplatten, Heizkörpern oder direktem Sonnenlicht zu platzieren, da dies den Druck der CO₂-Kartusche beeinflussen kann.
- Verwenden Sie nur zugelassene CO₂-Kartuschen für Ihren Brus-Carbonator, um eine ordnungsgemäße Funktionalität und Sicherheit zu gewährleisten.
- Stellen Sie sicher, dass die CO₂-Kartusche fest eingeschraubt ist, bevor Sie Kohlensäure in Ihre Brus-Flasche geben. Im Laufe der Zeit kann sie sich lockern und die Wirksamkeit beeinträchtigen.
- Verwenden Sie ausschließlich Brus-Flaschen für Ihren Brus-Carbonator. Andere Flaschen können die Funktionalität des Geräts beeinträchtigen oder ein Sicherheitsrisiko darstellen.
- Drehen Sie den Karbonisierungsbutton nicht, um CO₂ freizusetzen, ohne zuerst eine gefüllte Brus-Flasche anzubringen.
- Geben Sie kein CO₂ ab, ohne eine gefüllte Brus-Flasche angebracht zu haben. Sprühen Sie niemals Kohlensäure in eine leere Flasche. Füllen Sie die Flasche mindestens bis zur MIN-Linie.
- Verwenden Sie Ihren Brus-Carbonator immer in aufrechter Position.
- Füllen Sie niemals eine Brus-Flasche über die MAX-Linie oder unter die MIN-Linie.
- Verwenden Sie den Brus-Carbonator nicht, wenn er beschädigt ist. Wenden Sie sich an die Verkaufsstelle, um Hilfe zu erhalten, anstatt selbst Reparaturen vorzunehmen.

- Wenn die CO₂-Kartusche bricht oder beschädigt ist, kann sie nicht mit Ihrem Brus-Carbonator verwendet werden. Wenden Sie sich an die Verkaufsstelle, um Ersatz zu erhalten. Versuchen Sie niemals, Ihren Brus Wassersprudler zu verwenden, wenn dieser kaputt oder beschädigt ist, da dies äußerst gefährlich sein kann. Wenn Ihr Wassersprudler kaputtgeht oder nicht korrekt funktioniert, versuchen Sie nicht, das Gerät selbst zu reparieren oder zu öffnen. Wenden Sie sich an die Verkaufsstelle der Maschine, um weitere Informationen zu erhalten.

Pflege

Reinigung der Brus-Flasche

- Reinigen Sie Ihre Flasche in warmem Wasser (nicht über 40 °C) mit einem milden Spülmittel und spülen Sie sie gründlich aus. Verwenden Sie zur optimalen Innenreinigung eine Flaschenbürste. Bewahren Sie leere Flaschen ohne Verschluss auf, um Feuchtigkeit in der Flasche zu vermeiden.
- Verwenden Sie niemals starke Lösungsmittel oder Reinigungsmittel.
- Spülen Sie Ihre Flaschen niemals in der Spülmaschine. Wassertemperaturen über 40 °C (104 °F) können die Brus-Flasche beschädigen.
- Spülen Sie Ihre Flasche immer mit sauberem Wasser aus, bevor Sie sie füllen. Rückstände von zugesetzten Aromen oder anderen Substanzen können die Funktionalität und Sicherheit des Carbonators beeinträchtigen.
- Spülen Sie Ihre Flasche vor dem Befüllen immer mit sauberem Wasser aus. Wenn Rückstände von z. B. zugesetzten Aromen oder dergleichen in das System gelangen, kann der Wassersprudler beschädigt werden, sodass er nicht mehr sicher verwendet werden kann.

Reinigung des Brus Wassersprudlers

- Reinigen Sie Ihren Wassersprudler mit einem feuchten Mikrofasertuch. Bei Bedarf kann auch eine milde Seife verwendet werden.
- Verwenden Sie niemals starke Lösungs- und Reinigungsmittel.
- Reinigen Sie Ihren Wassersprudler niemals in der Spülmaschine.
- Fügen Sie die Kohlensäure ausschließlich sauberem Trinkwasser hinzu und niemals etwas anderem.

Entkalken des Brus Wassersprudlers

- Befolgen Sie die Anweisungen des Herstellers für die Entkalkungslösung oder mischen Sie gleiche Teile Wasser und weißen Essig.

- Füllen Sie die BRUS-Flasche mit der Entkalkungslösung bis zur maximalen Linie.
- Stellen Sie sicher, dass der Wasserstand die Spitze des Auslaufs bedeckt, aber die maximale Linie nicht überschreitet.
- Kohlen Sie die Lösung 1-2 Sekunden auf.
- Lassen Sie die Lösung 15 Minuten in der Flasche stehen.
- Leeren Sie die Flasche und spülen Sie sie gründlich aus. Reinigen Sie den Auslauf, um jegliche Entkalkungslösung zu entfernen.
- Füllen Sie die Flasche mit sauberem Wasser und karbonisieren Sie wie gewohnt. Tun Sie dies einmal, bevor Sie den normalen Gebrauch wieder aufnehmen, um sicherzustellen, dass alle Entkalkungslösungen weggespült sind.
- Wenn das Ergebnis nicht zufriedenstellend ist, wiederholen Sie den Vorgang.

Reklamation

Reklamationsrecht nach geltendem Recht. Bei einer Reklamation muss der Kassenbono/ Kaufbeleg mit Stempel und Kaufdatum beigelegt werden. Im Falle einer Reklamation muss der Wassersprudler an die Verkaufsstelle zurückgegeben werden, bei der er gekauft wurde.

Stelton A/S

Christianshavns Kanal 4
1406 Kopenhagen K
Dänemark
www.stelton.com

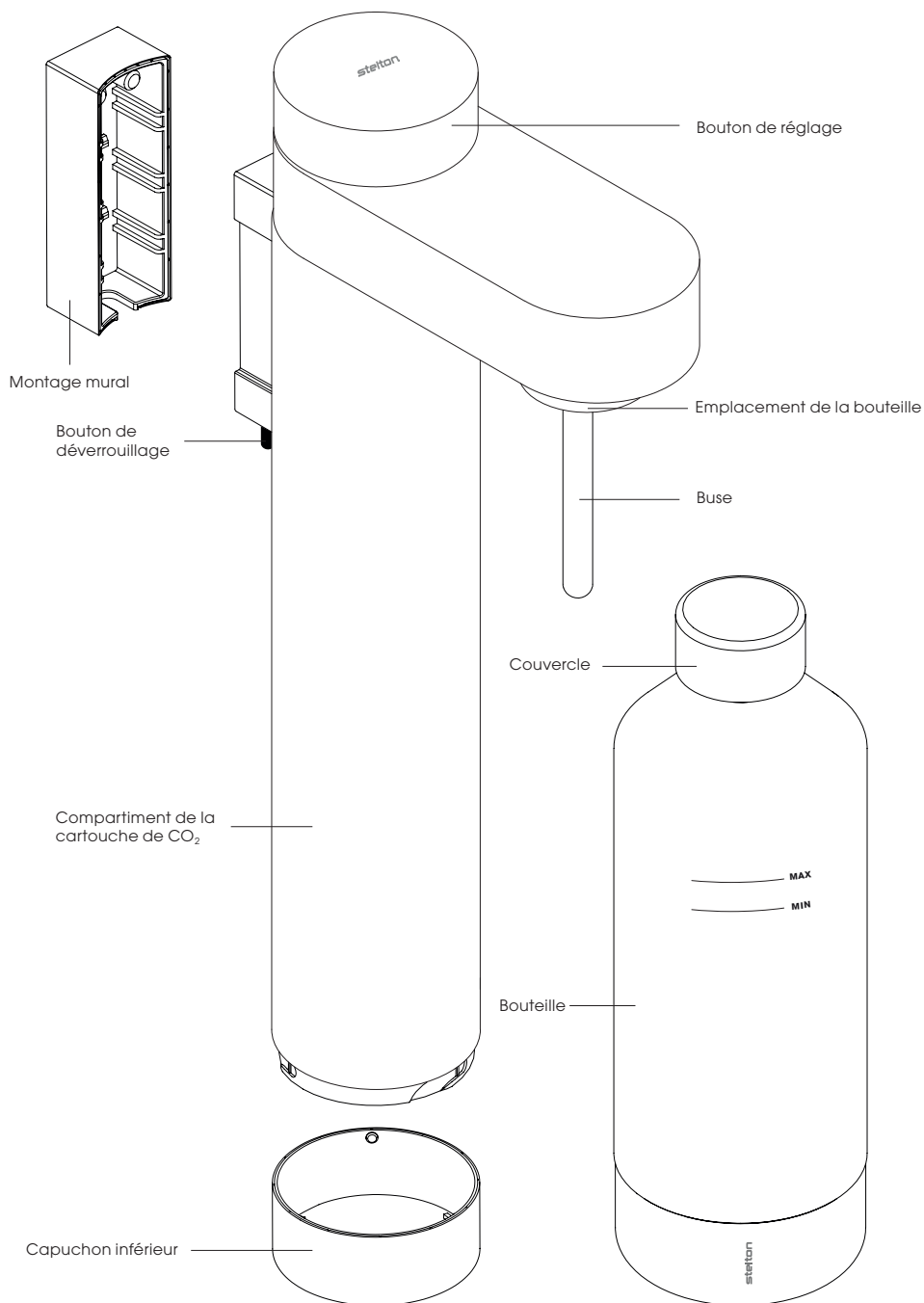
Entsorgung des Wassersprudlers

Bei der Entsorgung eines Brus-Wassersprudlers oder von Brus-Flaschen muss das Gerät gemäß den geltenden nationalen und internationalen Bestimmungen bei einer örtlichen Recyclingstelle entsorgt werden.

Technische Daten

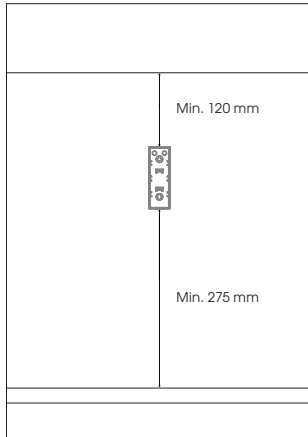
Brus Wassersprudler
Wassersprudler inklusive Flasche
Kohlensäurepatrone nicht enthalten
Flaschenvolumen (MAX-Markierung): 900 ml
Betriebsdruck: 7–9 Pa
Max. verwendete Wassertemperatur: 40 °C (104 °F)
Mind. verwendete Wassertemperatur: 1 °C (34 °F)

Wir behalten uns das Recht vor, jederzeit Änderungen und Verbesserungen an der Bedienungsanleitung vorzunehmen.



Avant d'utiliser votre carbonateur Brus pour la première fois, veuillez lire les instructions d'utilisation et de sécurité dans ce manuel.

Instructions d'utilisation



Installation du montage mural

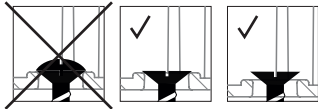
1. Choisissez un mur adapté, de préférence dans la cuisine ou dans un espace bar.
2. Placez le montage mural sur le mur et marquez les deux trous de perçage à l'aide d'un stylo. Assurez-vous que le montage mural soit horizontal en utilisant un niveau à bulle.

IMPORTANT: Assurez-vous que le bas du montage mural est soit à au moins 450 mm au-dessus de la surface de la table et 120 mm au-dessous d'un plafond.

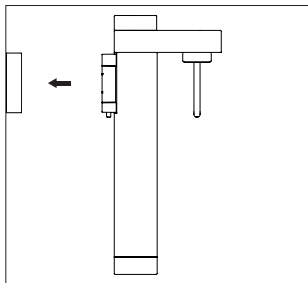
3. Utilisez deux vis à tête plate ($\text{Ø}4\text{-}5\text{ mm}$) ainsi que les chevilles murales expansibles pour fixer le support au mur. Reportez-vous aux instructions de montage incluses pour une installation correcte.

IMPORTANT: Assurez-vous que la fente du bouton de déverrouillage du support mural soit orientée vers le bas.

4. Une fois les vis en place, assurez-vous que les têtes de vis affleurent. Cela indique que le montage mural est solidement fixé au mur.



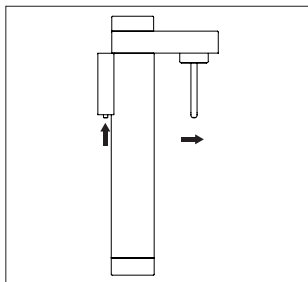
IMPORTANT : Les matériaux des murs étant différents, les vis et chevilles pour la fixation murale ne sont pas incluses. Utilisez des vis et chevilles adaptées.



Fixation du carbonateur mural

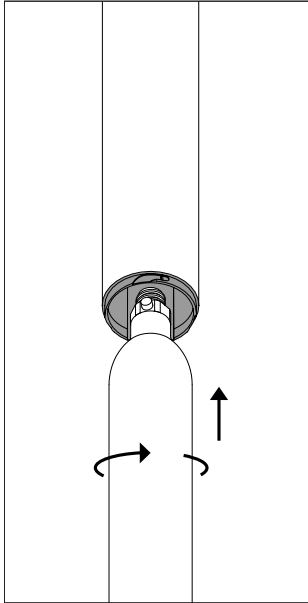
1. Appuyez doucement sur le support. Vous entendrez un clic indiquant que le carbonateur est correctement fixé.

Le carbonateur est maintenant prêt à l'emploi.



Détacher le carbonateur mural

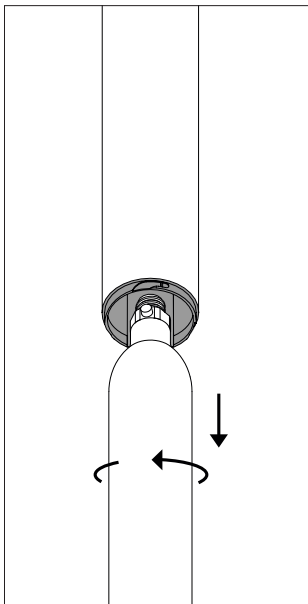
1. Saisissez délicatement le carbonateur par le compartiment de la cartouche de CO_2 .
2. Appuyez et maintenez enfoncé le bouton de déverrouillage pour détacher le carbonateur du support mural.
3. Retirez le carbonateur du support mural.



Installation de la cartouche CO₂

1. Retirez le joint et le bouchon de protection de la cartouche CO₂.
2. Saisissez délicatement le carbonateur par le compartiment de la cartouche de CO₂ et appuyez et maintenez enfoncé le bouton de déverrouillage pour détacher le carbonateur du support mural.
3. Retournez le carbonateur pour exposer le fond et dévissez le capuchon inférieur du compartiment de la cartouche de CO₂.
4. Insérez soigneusement la cartouche CO₂ à travers le trou en bas. Évitez de laisser tomber la cartouche pour éviter les dommages internes.
5. Après avoir inséré la cartouche, tournez-la doucement dans le sens des aiguilles d'une montre pour la fixer. Évitez d'utiliser une force excessive pour fixer la cartouche.
6. Remettez le capuchon inférieur sur le compartiment de la cartouche de CO₂ et remettez le carbonateur dans le support mural.

Il est maintenant prêt à l'emploi.



Remplacement de la cartouche CO₂

1. Saisissez délicatement le carbonateur par le compartiment de la cartouche de CO₂ et appuyez et maintenez enfoncé le bouton de déverrouillage pour détacher le carbonateur du support mural.
3. Retournez le carbonateur pour exposer le fond et dévissez le capuchon inférieur du compartiment de la cartouche de CO₂.
3. Tournez la cartouche CO₂ dans le sens antihoraire pour la libérer.
4. Après l'avoir libérée, retirez la cartouche CO₂ vide, puis suivez les instructions "Installation de la cartouche CO₂" pour insérer une nouvelle cartouche.



425 g

Ø60 mm

IMPORTANT : Une cartouche CO₂ n'est pas incluse dans la boîte-cadeau. Vous pouvez les acheter dans les supermarchés et les grands magasins.

Quantité de gazéification

La quantité de gazéification que vous ajoutez à l'eau dépend de vos préférences gustatives. Avec le carbonateur Brus, vous pouvez facilement ajuster le niveau de gazéification selon vos goûts. Gardez à l'esprit que l'absorption du dioxyde de carbone par l'eau dépend de divers facteurs.

- L'eau plus chaude rend difficile la liaison du CO₂ avec l'eau. Pour des résultats optimaux, utilisez le carbonateur Brus avec de l'eau froide (5°C / 41 °F).
- À mesure que la cartouche de gazéification se vide, moins de CO₂ sera ajouté progressivement. Vous devrez peut-être tourner le bouton de gazéification un peu plus longtemps que d'habitude pour obtenir le même niveau de gazéification dans votre eau. Ne gazéifiez jamais plus longtemps que ce qui est recommandé.
- Avant de retirer la bouteille, utilisez la libération manuelle de la pression. Cette action empêche l'excès de gazéification de s'échapper du système pendant l'utilisation, prolongeant ainsi la durée de vie de la cartouche de CO₂ si elle est utilisée conformément aux recommandations.

Carbonatation

Eau pétillante normale : Tournez le bouton pendant 3 à 4 secondes. (Recommandé)

Eau pétillante intense : Vous pouvez tourner le bouton jusqu'à 5 secondes.

ATTENTION : Gazéifiez pendant un maximum de 5 secondes. Arrêtez immédiatement si vous entendez un sifflement pendant cette période. Overflow of water

Ajout de saveur

Rehaussez votre eau pétillante en ajoutant du jus de fruit ou des concentrés de saveurs après la carbonatation.

Recherchez des produits aromatisants adaptés à l'eau gazeuse, disponibles dans les principaux supermarchés et grands magasins. Suivez les instructions fournies par le fabricant pour la quantité appropriée.

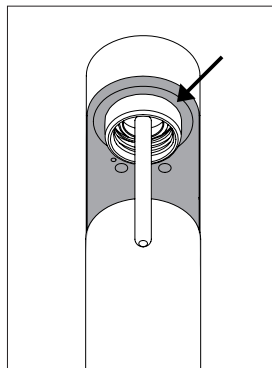
Ajoutez l'arôme directement dans la bouteille Brus, ou utilisez un verre ou une carafe Stelton pour le mélanger avec l'eau gazéifiée.

Après avoir utilisé des additifs, nettoyez soigneusement la bouteille pour empêcher les résidus d'affecter la machine lors des utilisations suivantes.

ATTENTION : La carbonatation de tout liquide autre que de l'eau propre peut compromettre l'intégrité de la machine BRUS, la rendant inutilisable en toute sécurité.

Stelton ne saurait être tenu responsable de tout dommage résultant d'une utilisation abusive de la machine Brus qui ne respecte pas les instructions de sécurité fournies.

Débordement d'eau



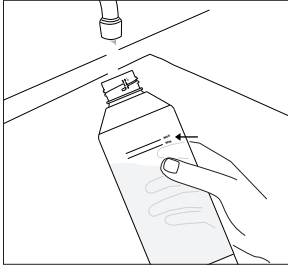
Que se passe-t-il si l'eau dépasse la ligne MAX ?

Lorsque le CO₂ est libéré, l'eau dans la bouteille monte. Si la bouteille est trop remplie, l'eau débordera dans la machine, ce qui entraînera la sortie d'eau par le bas et par le haut.

Veillez à ne pas remplir l'eau au-dessus de la ligne MAX ou en dessous de la ligne MIN sur la bouteille Brus. Dépasser la ligne MAX peut entraîner l'écoulement d'eau à travers les soupapes de décompression pendant la carbonatation, provoquant des fuites du haut vers le bas.

Maintenez toujours le niveau d'eau entre les lignes MIN et MAX.

AVERTISSEMENT : Le fait de trop remplir la bouteille peut être dangereux et nocif pour votre carbonateur.

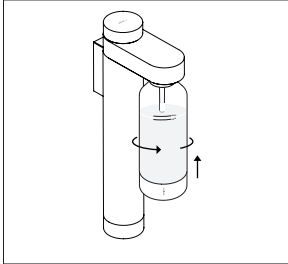


Étape 1 – Remplissez la bouteille avec de l'eau

Remplissez la bouteille d'eau froide et propre jusqu'à la ligne de remplissage. Le dépassement de la ligne MAX fera sortir l'eau par la soupape de décompression pendant l'utilisation.

Température de l'eau recommandée : 5°C (41 °F).

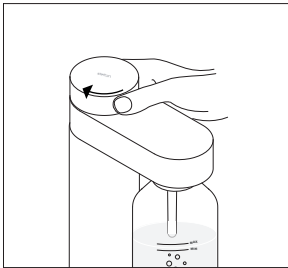
Ne laissez pas la température de l'eau dépasser 40°C (104°F).



Étape 2 – Vissez la bouteille

Insérez la bouteille dans le filetage et tournez dans le sens antihoraire pour la fixer.

Assurez-vous que la bouteille est fermement fixée avant utilisation et que la pointe du bec est submergée dans l'eau.



Étape 3 – Ajoutez de la carbonatation

Tournez le bouton de carbonatation dans le sens des aiguilles d'une montre pendant 3 à 4 secondes pour obtenir une eau pétillante normale.

Arrêtez immédiatement si vous entendez un sifflement pendant cette période.

AVERTISSEMENT: Utilisez le carbonateur exclusivement pour de l'eau potable propre. L'utilisation de boissons sucrées ou de boissons avec des additifs peut entraîner le blocage de la soupape de décompression, rendant le carbonateur dangereux à utiliser.



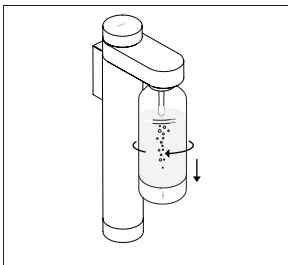
Étape 4 – Libérez la pression en excès

Tournez lentement le bouton de carbonatation dans le sens antihoraire.

Ne lâchez pas le bouton lorsque vous tournez dans le sens antihoraire.

La pression excessive dans la bouteille sera libérée avec un sifflement.

AVERTISSEMENT : Manipulez toujours le bouton avec précaution. Après l'avoir tourné dans le sens des aiguilles d'une montre, relâchez-le lentement dans le sens antihoraire pour éviter un déroulement soudain, évitant ainsi d'endommager la machine.



Étape 5 – Dévissez la bouteille

Tournez votre bouteille Brus dans le sens des aiguilles d'une montre pour la dévisser.

Profitez de votre eau telle quelle ou ajoutez-y de la saveur avec des fruits ou du sirop.

AVERTISSEMENT : Si la pression en excès n'est pas libérée manuellement, elle sera libérée lorsque vous détacherez la bouteille de la machine.

Garantie

La garantie de votre machine n'est valable que si elle a été traitée conformément aux instructions d'utilisation, d'entretien et de sécurité recommandées.

Instructions de sécurité pour la bouteille

- Utilisez uniquement de l'eau potable dans vos bouteilles Brus. La carbonatation d'autres liquides peut entraîner l'entrée de liquide dans la machine, et des additifs tels que le sucre pourraient provoquer le blocage des soupapes de décompression, compromettant la sécurité.
- Ne remplissez pas la bouteille Brus au-dessus de la ligne MAX, car cela peut entraîner l'entrée d'eau dans la machine et la pulvérisation à travers les soupapes de décompression.
- Les bouteilles Brus ne sont pas sûres pour le lave-vaisselle et peuvent supporter des températures d'eau allant jusqu'à 40°C (104°F). Lavez-les uniquement à la main.
- Ne congelez pas les bouteilles Brus.
- Remplacez la bouteille Brus si elle a dépassé sa date limite d'utilisation recommandée de deux ans.
- N'utilisez pas de bouteilles d'eau décolorées, déformées ou fissurées, car cela présente un risque pour la sécurité.
- Rincez soigneusement la bouteille Brus avant chaque utilisation pour éviter la croissance bactérienne.
- Abstenez-vous de boire directement dans la bouteille pour éviter la contamination bactérienne de la bouteille et de la machine.
- Utilisez uniquement les bouteilles Brus désignées pour votre carbonateur Brus.

Symboles sur la bouteille



Approuvé pour les aliments

Ce symbole indique que les matériaux utilisés pour la bouteille Brus sont sûrs pour le contact alimentaire.



Élimination

La bouteille Brus est fabriquée en PET (1) avec une coque en acier (40) en bas. Le couvercle de la bouteille est en PP (5) avec un joint en silicone (7) et une coque en acier (40).



Manuel d'instructions

Lisez le manuel d'instructions pour une utilisation appropriée de la bouteille Brus, y compris les consignes de sécurité connexes. L'année indique quand la bouteille a été produite. Toutes les bouteilles doivent être remplacées 2 ans après la date de première utilisation.



Non compatible avec le lave-vaisselle

La bouteille Brus ne doit jamais être placée au lave-vaisselle, car cela peut affecter sa fonctionnalité et ainsi présenter un risque pour la sécurité.



Plage de température

La bouteille Brus peut supporter une température minimale de 1°C (34°F) et une température maximale de 40°C (104°F). Le dépassement de ces températures endommagera la bouteille et présentera donc un risque pour la sécurité.

Instructions de sécurité pour le carbonateur et la cartouche de CO₂

- Ne transportez pas votre carbonateur Brus avec la cartouche de CO₂ attachée dans le compartiment. Libérez la cartouche avant le transport pour éviter les dommages internes.
- Gardez votre carbonateur Brus et la cartouche de CO₂ hors de la portée des enfants.
- En raison de préoccupations de sécurité, l'utilisation de cette machine est strictement réservée aux personnes âgées de 15 ans et plus.
- Évitez de placer votre carbonateur Brus près de sources de chaleur, telles que les plaques chauffantes, les radiateurs ou la lumière directe du soleil, car cela peut affecter la pression de la cartouche de CO₂.
- Utilisez uniquement des cartouches de CO₂ approuvées pour votre carbonateur Brus pour garantir un fonctionnement et une sécurité appropriés.
- Assurez-vous que la cartouche de CO₂ est solidement vissée avant d'ajouter de la carbonatation à votre bouteille Brus. Avec le temps, elle peut se desserrer, ce qui affecte son efficacité.
- Utilisez uniquement des bouteilles Brus pour votre carbonateur Brus. D'autres bouteilles peuvent affecter le fonctionnement de la machine ou présenter un risque pour la sécurité.
- Ne tournez pas le bouton de carbonatation pour libérer le CO₂ sans attacher d'abord une bouteille Brus remplie.
- Ne libérez pas le CO₂ sans qu'une bouteille Brus remplie soit attachée. N'injectez jamais de gazéification dans une bouteille vide. Remplissez la bouteille au moins jusqu'à la ligne MIN.
- Utilisez toujours votre carbonateur Brus en position verticale.
- Ne remplissez jamais une bouteille Brus au-dessus de la ligne MAX ou en dessous de la ligne MIN.
- N'utilisez pas le carbonateur Brus s'il est cassé ou endommagé. Contactez le lieu d'achat pour obtenir de l'aide au lieu d'essayer de le réparer vous-même.

- Si la cartouche de CO₂ se casse ou est endommagée, elle ne peut pas être utilisée avec votre carbonateur Brus. Contactez le lieu d'achat pour obtenir un remplacement.

Entretien

Nettoyage de la bouteille Brus

- Nettoyez votre bouteille à l'eau tiède (ne pas dépasser 40°C) avec un détergent doux et rincez bien. Utilisez une brosse pour nettoyer l'intérieur de la bouteille. Stockez les bouteilles vides sans leurs bouchons pour éviter l'humidité à l'intérieur de la bouteille.
- N'utilisez jamais de solvants forts ou de produits de nettoyage agressifs.
- Rincez toujours votre bouteille à l'eau propre avant de la remplir. Les résidus de produits d'aromatisation ajoutés ou d'autres substances peuvent affecter la fonctionnalité et la sécurité du carbonateur.

Nettoyez votre carbonateur Brus.

- Nettoyez votre carbonateur avec un chiffon en microfibre humide. Un détergent doux peut également être utilisé si nécessaire.
- N'utilisez jamais de solvants forts ou d'agents de nettoyage.
- Ne lavez jamais votre carbonateur au lave-vaisselle.
- Ne gazéifiez jamais autre chose que de l'eau potable propre.

Détartrage du carbonateur Brus.

- Suivez les instructions du fabricant pour la solution de détartrage, ou mélangez des parts égales d'eau et de vinaigre blanc.
- Remplissez la bouteille BRUS avec la solution de détartrage jusqu'à la ligne maximale.
- Assurez-vous que le niveau d'eau couvre le bout du bec mais ne dépasse pas la ligne maximale.
- Carbonatez la solution pendant 1-2 secondes.
- Laissez la solution reposer dans la bouteille pendant 15 minutes.
- Videz la bouteille et rincez-la soigneusement. Nettoyez le bec pour enlever toute solution de détartrage.
- Remplissez la bouteille avec de l'eau propre et carbonatez normalement. Faites cela une fois avant de reprendre une utilisation normale pour vous assurer que toute la solution de détartrage est éliminée.
- Si le résultat n'est pas satisfaisant, répétez le processus.

Plainte

Droit de plainte conformément à la législation applicable. Les plaintes doivent être accompagnées d'un reçu tamponné par la machine ou d'un reçu d'achat indiquant la date d'achat. En cas de plainte, le carbonateur doit être retourné au lieu d'achat.

Stelton A/S

Christianshavns Kanal 4
DK-1406 Copenhagen
Denmark
www.stelton.com

Élimination du carbonateur



Lors de l'élimination du carbonateur Brus ou des bouteilles Brus, la législation nationale et internationale applicable stipule que la machine doit être éliminée par l'intermédiaire d'une installation de recyclage municipale.

Données techniques

Carbonateur Brus

Carbonateur avec bouteille inclus

Cartouche de gazéification non incluse

Volume de la bouteille (indicateur MAX) : 900 ml.

Pression de fonctionnement : 7–9 Pa

Température maximale de l'eau : 40°C (104°F)

Température minimale de l'eau : 1 °C (34°F)

Nous nous réservons le droit d'apporter des modifications et des améliorations constantes au manuel d'instructions.





Stelton A/S

Christianshavns kanal 4

DK 1406 Copenhagen

Phone: +45 3962 3055

www.stelton.com